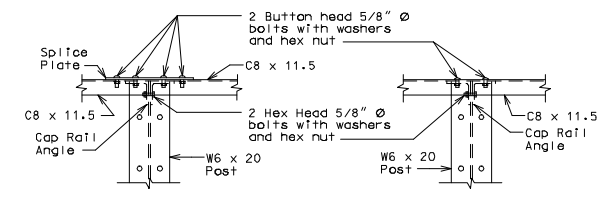
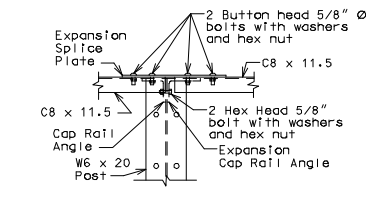


ROUTE	STATE	DISTRICT	SHEET NO.
	MO		
JOB NO.			
CONTRACT ID			
PROJECT NO.			
COUNTY			DATE

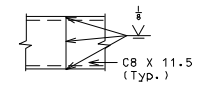


TYPICAL SPLICE ELEVATION

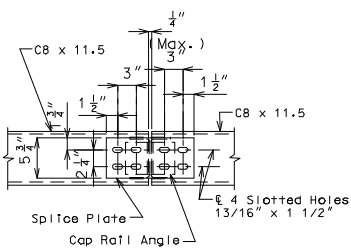
CONNECTION TO RAIL POST ELEVATION



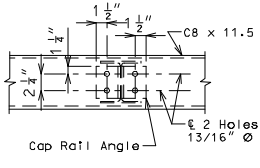
EXPANSION SPLICE ELEVATION



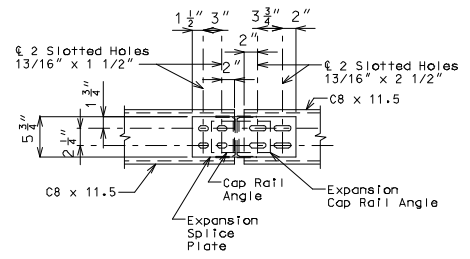
OPTIONAL SPLICE
Shop or field splice of any location (Max. one per panel)



TYPICAL SPLICE PLAN

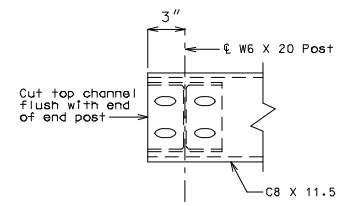


CONNECTION TO RAIL POST PLAN

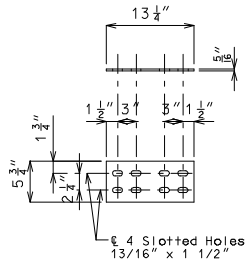


EXPANSION SPLICE PLAN

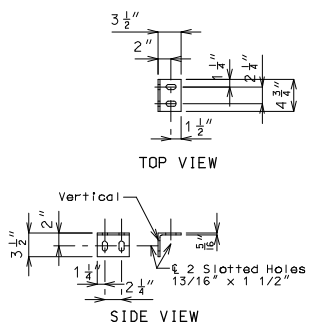
Expansion slots same side of post as exp. joint



PART PLAN B-B

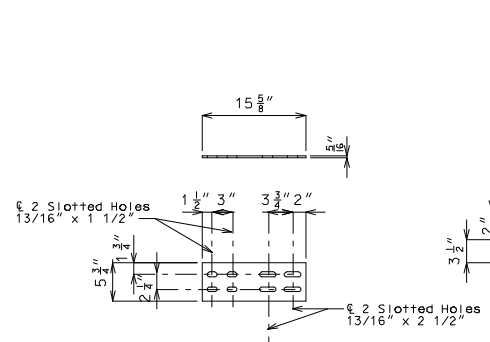


SPLICE PLATE

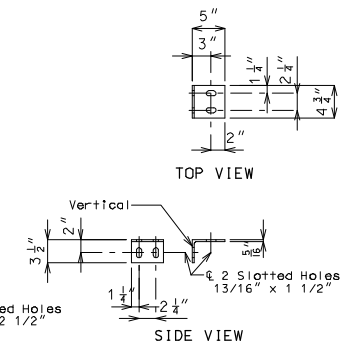


CAP RAIL ANGLE

∠3-1/2 x 3 1/2 x 5/16



EXPANSION SPLICE PLATE



EXPANSION CAP RAIL ANGLE

∠5 x 3 1/2 x 5/16